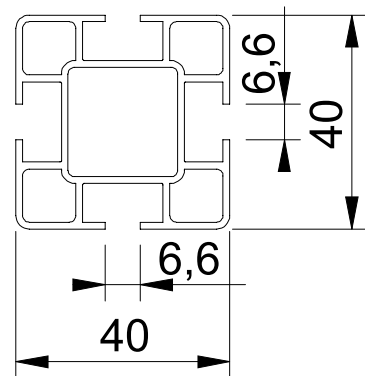
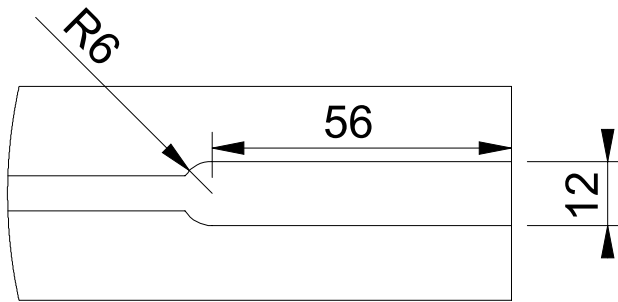
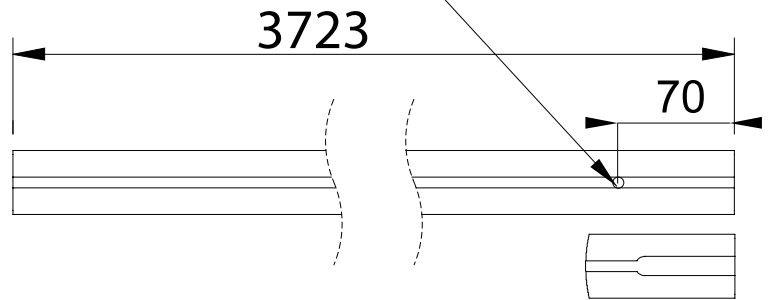



Ø 6,50 Through all



			Pakkelliste / Packing list	Stk. / Qty.
			-	-
Dato / Date	Version no.	Enheder / Units	-	-
20- 10- 2022	02	mm	-	-
Benavnelse / Description			-	-
Rafter gable			-	-
-			-	-
-			-	-
-			-	-
609000048			-	-